



PKZ and PKE motor-protective circuit-breakers

Machinery and installation downtimes should be kept as short as possible. The PKZ fuseless motor-protective circuit-breakers combine short-circuit and overload protection in one device, allowing fast restart readiness. PKZM01, PKZM0, PKZM4 and PKE have the same accessories. Combines easily with DILM contactors and DS7 soft starters. Connecting PKE to SmartWire-Darwin facilitates high data transparency.



PKZM01 (up to 16) motor-protective circuit-breaker with pushbuttons

Motor-protective circuit-breaker in housing for protection types IP40 and IP65 +++ Integrated EMERGENCY STOP and EMERGENCY OFF pushbuttons reduce wiring.

PKZM0 (up to 32 A) and PKZM4 (up to 65 A) motor-protective circuit-breakers with rotary handle

Short-circuit proof up to at least 50 kA for easy engineering +++ Trip-indicating auxiliary contact enables remote diagnosis +++ High safety through application as main switch or repair and maintenance switch +++ ATEX approval for protection of EEx e motors up to 65 A

PKE (up to 65 A) motor-protective circuit-breakers with electronic wide-range overload protection

High flexibility through plug-in trip block +++ Wide current setting ranges enable only five trip blocks up to 65 A +++ Precise and extremely long-term stable characteristic curves +++ Individual supply through integrated current converter +++ ATEX approval for protection of EEx e motors up to 65 A +++ Adjustable tripping classes

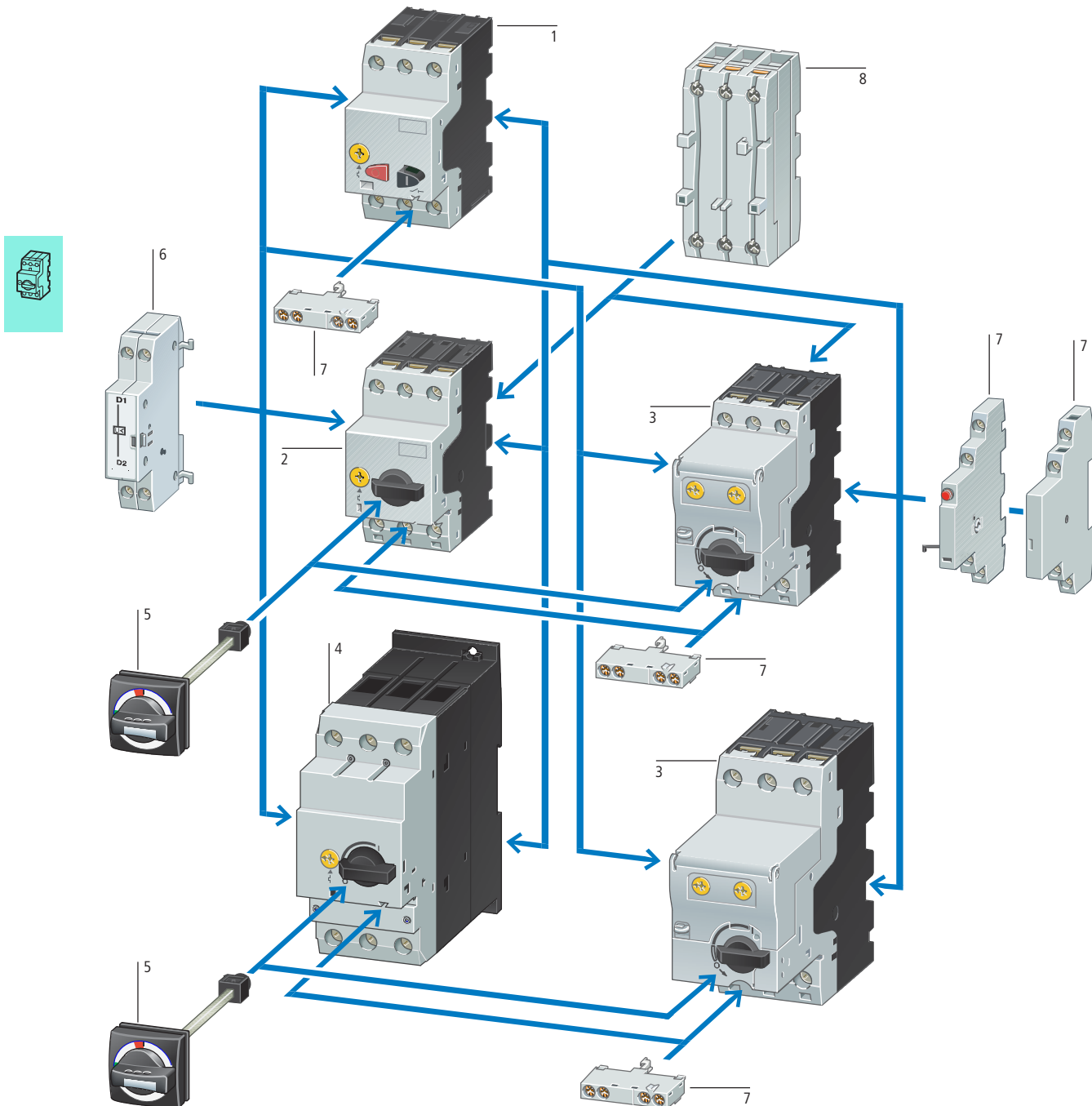


DC string circuit-breakers PKZ-SOL and DC switch-disconnectors P-SOL (up to 63 A) for installations

High string circuit-breaker flexibility due to wide current setting range +++ Enclosed switch-disconnector for external mounting (IP65) +++ Remote shutdown through optional secondary voltage and shunt trip +++ Voltage up to 1000 V DC +++ TÜV certified



System overview



Basic devices

Motor-protective circuit-breaker PKZM01 1
→ Page 7/3

Motor-protective circuit-breaker PKZM0 2
→ Page 7/4

Motor-protective circuit-breaker with wide-range overload protection 3
→ Page 7/8

Motor-protective circuit-breaker PKZM4 4
→ Page 7/4

Add-on functions

Standard auxiliary contacts 7
→ Page 7/10

Shunt release 6
→ Page 7/29

Current limiters 8
→ Page 7/12

Mounting accessories

Door coupling handles IP65 5
→ Page 7/20

Insulated enclosure
→ Page 7/16

Mounting/wiring
→ Page 7/22