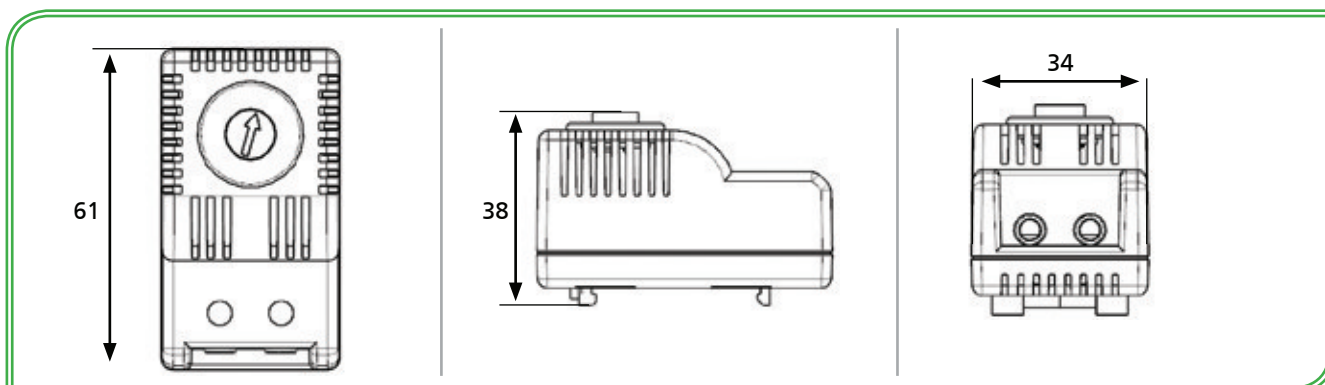




# TEMPERATURE CONTROL THERMOSTAT

Models	Unit	PTHT	PTVT
Contact Function	-	NC	NO
Temperature Setting Range	°C	0-60	0-60
Colour of Potentiometer	-	RED	BLUE
250V AC / 120V AC	A	10 (2)	15 (2)
Sensor Type	-	Bimetal	
Contact Type	-	Snap Action	
Service Life	Cycle	> 100.000	
Electrical Connections	-	2-Pole Terminal	
Plastic Material	-	UL94 V0 ABS Flame Retardant	
Protection Degree	EN60529	IP20	
Operating Temperature	°C	-25 / +80	
Storage Temperature	°C	-45 / +80	
Mounting	-	Clip for mounting on DIN rail 35mm	
Installation Position	-	Variable	
Conformity	-	CE	
Dimensions HxWxD	mm	61x34x38	
Weight	g	45	

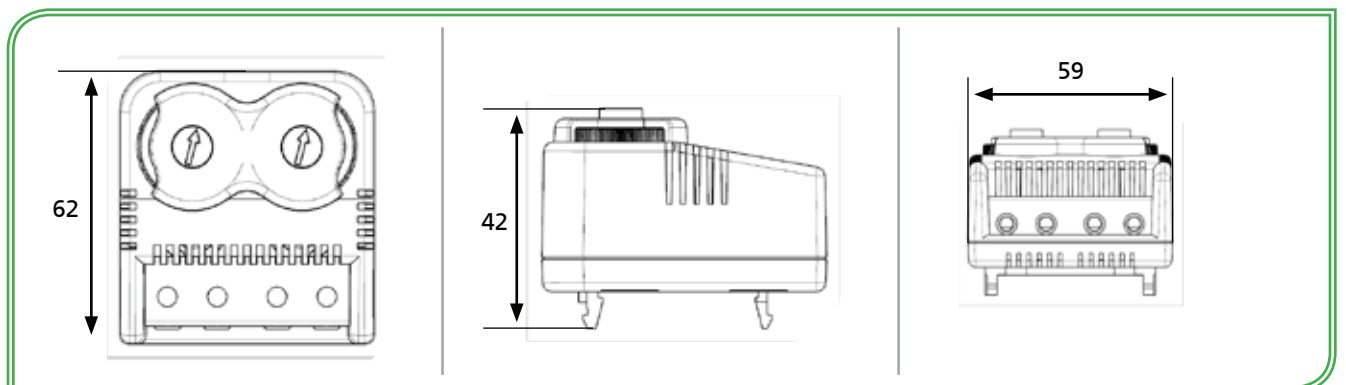
Control / Thermostats





# TEMPERATURE CONTROL DOUBLE THERMOSTAT

Models	Unit	PTHVT
Contact Function	-	NC+NO
Temperature Setting Range	°C	0-60 / 0-60
Colour of Potentiometers	-	RED + BLUE
250V AC / 120V AC	A	10 (2) / 15 (2)
Sensor Type	-	Bimetal
Contact Type	-	Snap Action
Service Life	Cycle	> 100.000
Electrical Connections	-	4-Pole Terminal
Plastic Material	-	UL94 V0 ABS Flame Retardant
Protection Degree	EN60529	IP20
Operating Temperature	°C	-25 / +80
Storage Temperature	°C	-45 / +80
Mounting	-	Clip for mounting on DIN rail 35mm
Installation Position	-	Variable
Conformity	-	CE
Dimensions HxWxD	mm	65x59x42
Weight	g	80





# HUMIDITY CONTROL MECHANICAL HYGROSTAT

Models	Unit	PHG02
Power Supply	V AC	110-250
Setting Range	%RH	10-90
Colour of Potentiometer	-	BLACK
Current	A	10-5
Differential	-	%5, max. %10
Sensor Type	-	Polyamide ribbon
Electrical Connections	-	3-Pole Terminal
Electrical Section Wires	-	From 0,75mm <sup>2</sup> to 4.0mm <sup>2</sup>
Operating Temperature	°C	+10 / +60
Storage Temperature	°C	+10 / +60
Protection Degree	-	IP20
Colour	-	RAL7035
Mounting	-	Clip for mounting on DIN rail 35mm
Dimensions HxWxD	mm	105x60x55
Weight	g	180
Conformity	-	CE

Control / Mechanical Hygrostat

